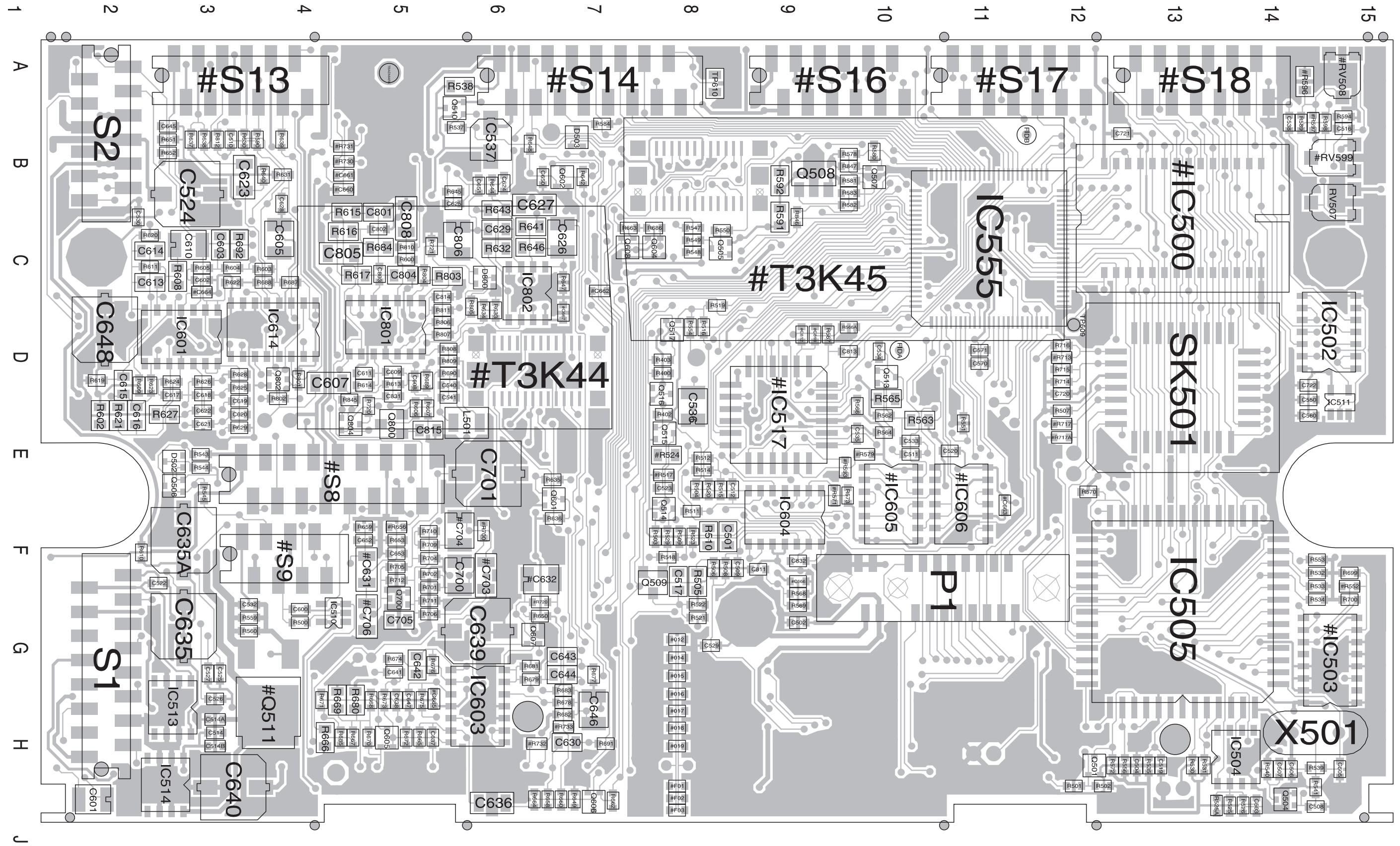
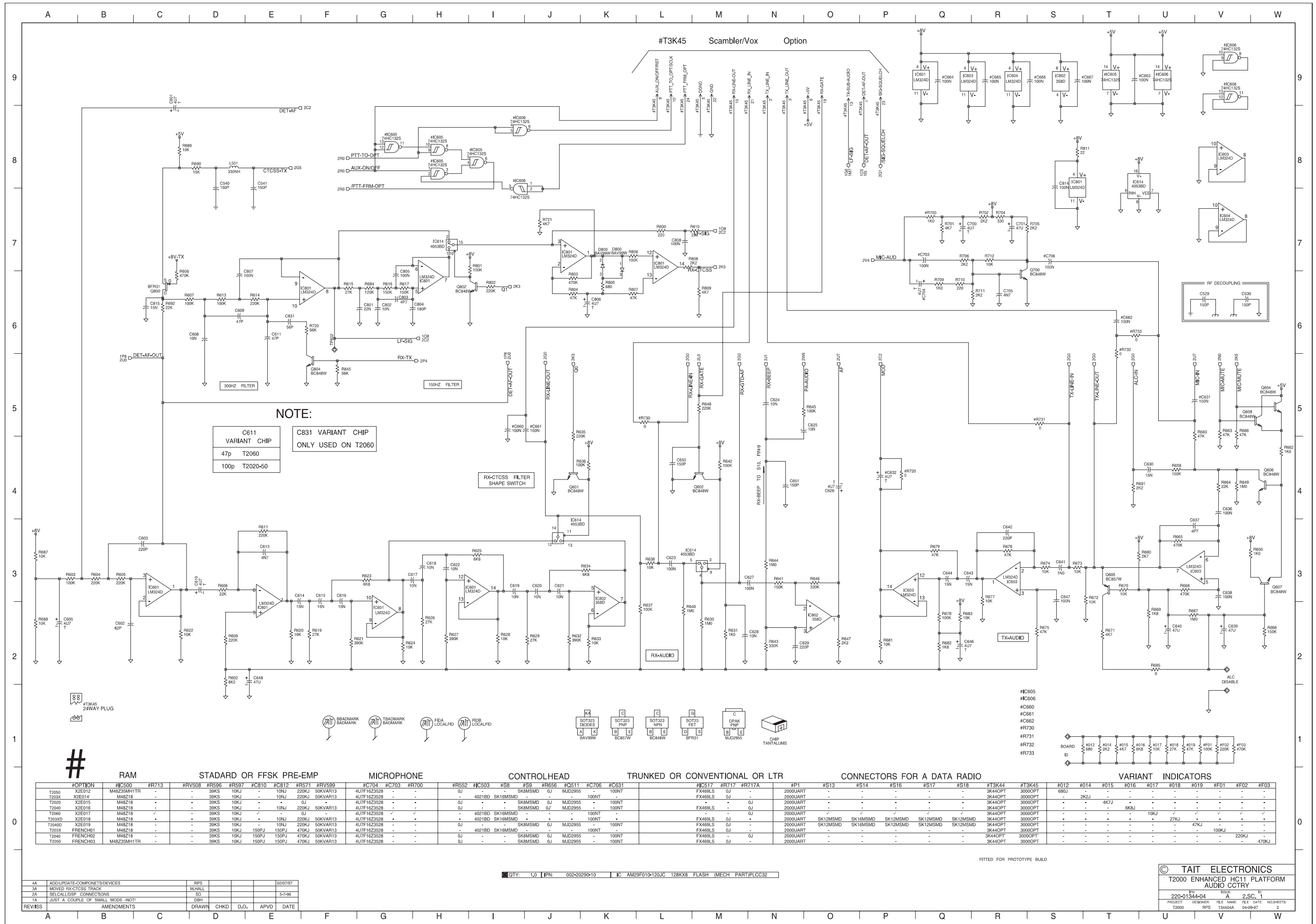


T2020, T203X, T2040, T2050 & T2060
HC11 Logic PCB Layout
Bottom Side
IPN 220-01344-04



T2020, T203X, T2040, T2050 & T2060
HC11 Logic PCB Layout
Top Side
IPN 220-01344-02



NOTE:

C811	VARIANT CHIP
47p	T2060
100p	T2020-50

C831 VARIANT CHIP
ONLY USED ON T2060

#

#OPTION	RAM	STADARD OR FFSK PRE-EMP	MICROPHONE	CONTROLHEAD	TRUNKED OR CONVENTIONAL OR LTR	CONNECTORS FOR A DATA RADIO	VARIANT INDICATORS
#C500	#R713	#RV508 #R596 #R597 #C810 #C812 #R571 #RV599	#C704 #C703 #R700	#R552 #C503 #SS #S9 #R556 #Q511 #C706 #C631	#C517 #R717 #R717A	#P1 #S13 #S14 #S16 #S17 #S18 #T3K44 #T3K45	#012 #014 #015 #016 #017 #018 #019 #F01 #F02 #F03
T2050	X2E012	M4823MH1TR	-	-	2000UART	3K44OPT	680J
T203X	X2E014	M48218	-	-	2000UART	3K44OPT	2K2J
T2030	X2E015	M48218	-	-	2000UART	3K44OPT	-
T2040	X2E016	M48218	-	-	2000UART	3K44OPT	-
T2060	X2E017	M48218	-	-	2000UART	3K44OPT	10KJ
T203XD	X2E018	M48218	-	-	2000UART	3K44OPT	27KJ
T2040D	X2E019	M48218	-	-	2000UART	3K44OPT	47KJ
T203X	FRENCH01	M48218	-	-	2000UART	3K44OPT	100KJ
T2040	FRENCH02	M48218	-	-	2000UART	3K44OPT	220KJ
T2050	FRENCH03	M4823MH1TR	-	-	2000UART	3K44OPT	470KJ

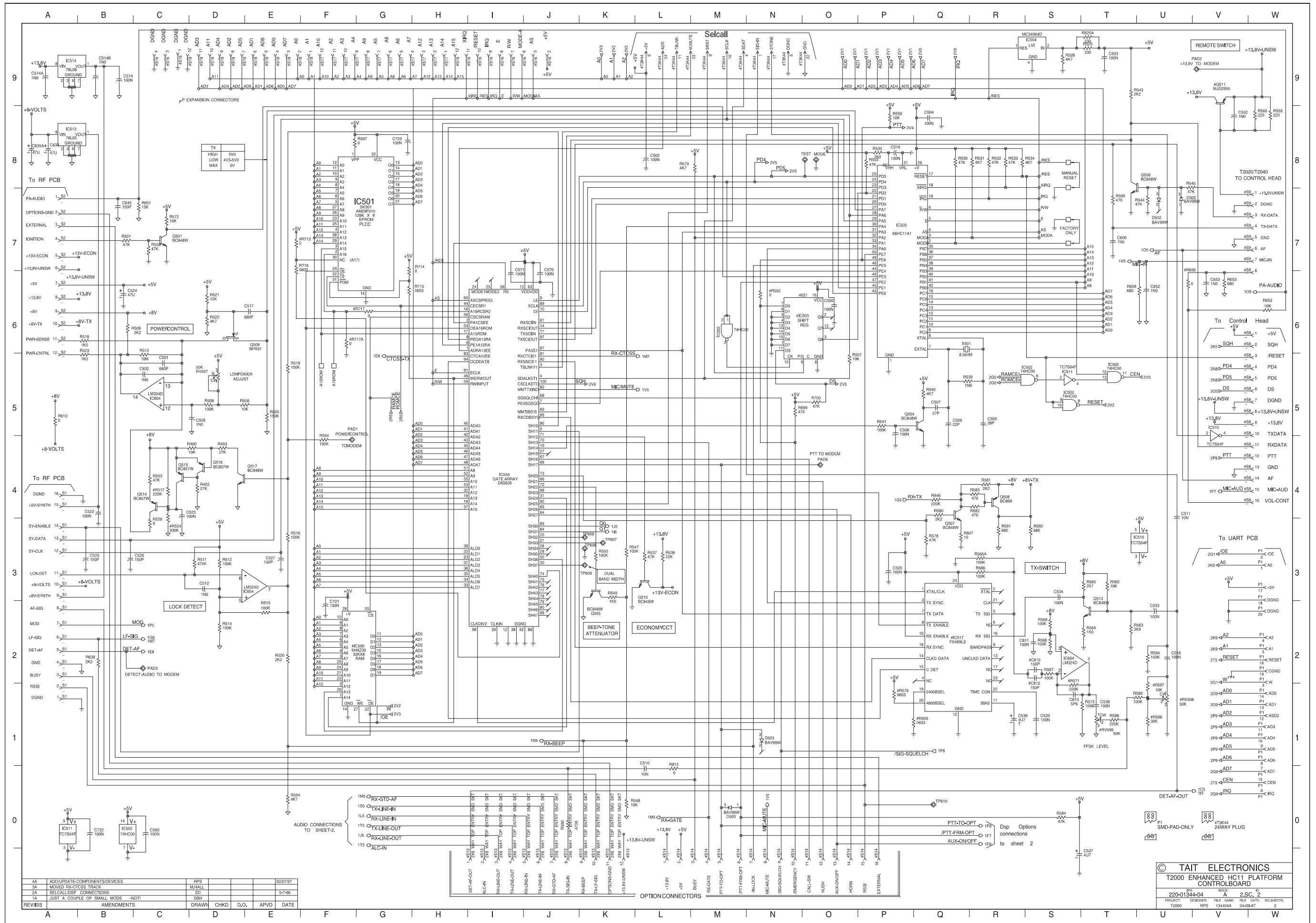
REV/ISS	AMENDMENTS	DRAWN	CHKD	D.O.	APVD	DATE
4A	ADD/UPDATE COMPONENTS/DEVICES	RFS				02/07/97
3A	MOVED RX-CTCSS TRACK	MHALL				5-7-96
2A	SELCALL/DSP CONNECTIONS	SD				
1A	JUST A COUPLE OF SMALL MODS -NOT!	DBH				

QTY: 1.0 IPN: 002-20290-10 IC AM29F010-120JC 128KX8 FLASH (MECH PART)PLCC32

FITTED FOR PROTOTYPE BUILD

TAIT ELECTRONICS
T2000 ENHANCED HC11 PLATFORM
AUDIO CTRY

REV: A 2.S.C. 1
PROJECT: 220-01344-04 FILE NAME: T2000 ID: 134404A G4-09-97 NOS: SHEETS: 2



4A	ADD/UPDATE COMPONENTS/DEVICES	RPS		02/07/97
3A	MOVED RX-CTCSS TRACK	MHALL		
2A	JUST A COUPLE OF SMALL MODS -NOT!	SD		5-7-96
1A	REVISED	DRH		
		CHKD		
		D.O.		
		APVD		
		DATE		

© TAIT ELECTRONICS
 T2000 ENHANCED HC11 PLATFORM
 CONTROL BOARD
 IPN 220-01344-04
 PROJ: T2000 RPS 134404A 04-09-97 2

